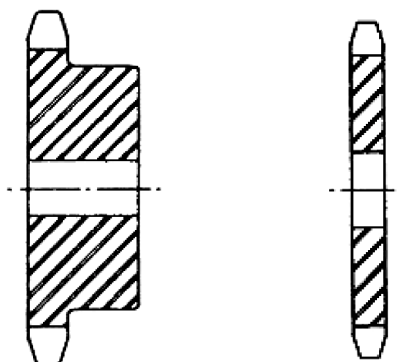


ISO 9001:2000	STYLE	TEETH	DIA.	BORE		HUB		WT.	ISO 9001:2000	STYLE	BORE	WT.			
Part Number	Bore	Quantity	Outside	Std.	Max.	Dia.	LTB	lbs	Part Number	Bore	Std. inch	lbs			
			inch												
35B8	B	8	1.130	3/8	3/8	3/4	3/4	0.07	—	—	—	—			
35B9		9	1.260			27/32		0.09							
35B10		10	1.380		31/32	0.14									
35B11		11	1.500	1 1/16	0.17										
35B12		12	1.630	1 7/32	0.20										
35B13	B	13	1.750	1/2	11/16	1 1/4	3/4	0.23	—	—	—	—			
35B14		14	1.870		7/8	0.25									
35B15		15	1.990		1 11/32	0.29		35A15					A	1/2	0.10
35B16		16	2.110	15/16	1 15/32	0.35		35A16							0.12
35B17		17	2.230	1 1/16	1 19/32	0.42		35A17							
35B18	B	18	2.350	1/2	1 3/16	1 23/32	3/4	0.48	35A18	A	1/2	0.14			
35B19		19	2.470		1 1/4	0.54		35A19	0.16						
35B20		20	2.590		1 5/16	1 15/16		0.59	35A20			0.20			
35B21		21	2.710	1 3/8	2	7/8		0.80	35A21			0.20			
35B22		22	2.830						35A22			0.22			
35B23	B	23	2.950	1/2	1 3/8	2	7/8	0.82	35A23	A	1/2	0.24			
35B24		24	3.070					0.88	35A24			0.26			
35B25		25	3.190					0.90	35A25			0.28			
35B26		26	3.310					0.94	35A26			0.28			
35B27		27	3.430					0.94	35A27			0.34			

PLEASE ASK YOUR SALES REPRESENTATIVE REGARDING FIT'S FREE FREIGHT POLICY

CORPORATE - WEST COAST SALES
 47655 Warm Springs Blvd
 Fremont, CA 94539
 Toll Free: (800) 808-0348
 Phone: (510) 623-1688

MIDWEST SALES - DISTRIBUTION
 2800 Galvin Drive
 Elgin, IL 60124
 Toll Free: (877) 808-0348
 Phone: (847) 836-8200



ISO 9001:2000	STYLE	TEETH	DIA.	BORE		HUB		WT.	ISO 9001:2000	STYLE	BORE	WT.
Part Number	Bore	Quantity	Outside	Std.	Max.	Dia.	LTB	lbs	Part Number	Bore	Std.	lbs
			inch								inch	
35B28	B	28	3.550	1/2	1 3/8	2	7/8	0.94	35A28	A	1/2	0.34
35B30		30	3.790					1.02	35A30			0.46
35B32		32	4.030					1.24	35A32			0.46
35B35		35	4.390	5/8	1 1/2	2 1/4		1.50	35A35		5/8	0.60
35B36		36	4.510					1.56	35A36			0.62
35B40		B	40	4.990	5/8	1 1/2		2 1/4	1		1.62	35A40
35B42	42		5.230	1.68			35A42			0.78		
35B45	45		5.590	1.78			35A45			0.88		
35B48	48		5.950	1.88			35A48			1.21		
35B54	54		6.660	2.20			35A54			1.32		
35B60	B		60	7.380			3/4			1 1/2	2 1/4	1
35B72		72	8.810	3.42	35A72	2.56						
35B80		80	9.770	3.82	35A80	3.16						
35B84		84	10.250	4.24	35A84	3.26						
35B96		96	11.680	5.16	35A96	4.64						
35B112		112	13.590	6.70	35A112	5.05						

FIT STRIVES FOR 100% IN ON-TIME DELIVERIES